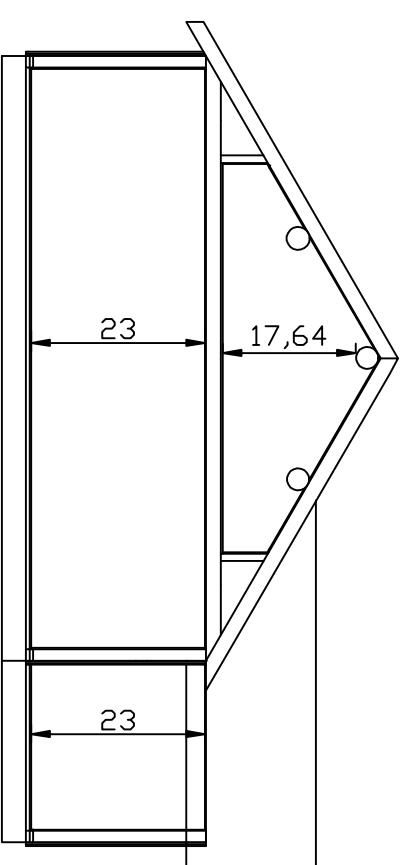


Kote 606

Kote 601

Snitt A-A



Itemref	Quantity	Plan-Snitt		Article No./Reference
Designed by TVEITD BYGG AS	Checked by TOT	Approved by - date TOT-23.06.08	File name Fasade	Date 23.06.08
Hytte Sløttafelte tomt 6				Scale 1:100

DRAWING\_NUMBER

Plan-Snitt

Edition  
EDITION

Sheet  
SHEET